


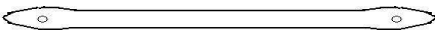
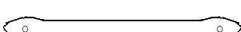


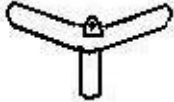
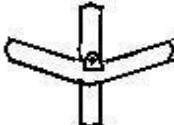
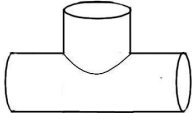
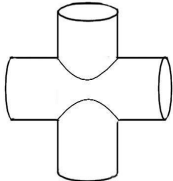
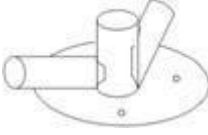
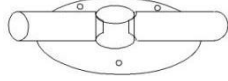








THE INSTALL INSTRUCTION FOR 6×12M PVC PART LIST

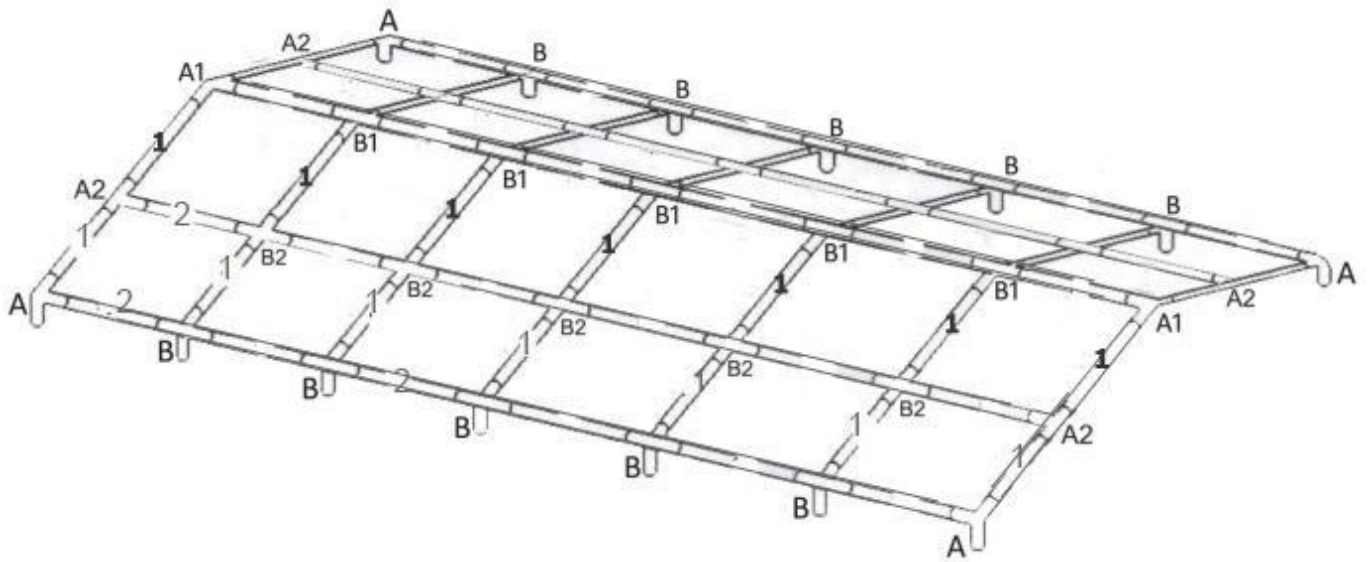
No.	Tube descriptions	Graph	Quantity
1#	1570mm Galvanized Pipe		28
2#	1930mm Galvanized Pipe (leg tubes)		14
2#	1930mm Galvanized Pipe		48
	1500mm Reinforced bar on top part		14
	800mm Reinforced bar on top part		7

No.	Joint descriptions	Graph	Quantity
A	120° 3 Way joint		4
B	120° 4 Way joints		10
A1	120° 3 Way joints		2
B1	120° 4 Way joints		5
A2	Flat 3 Way joints		4
B2	Flat 4 Way joints		10

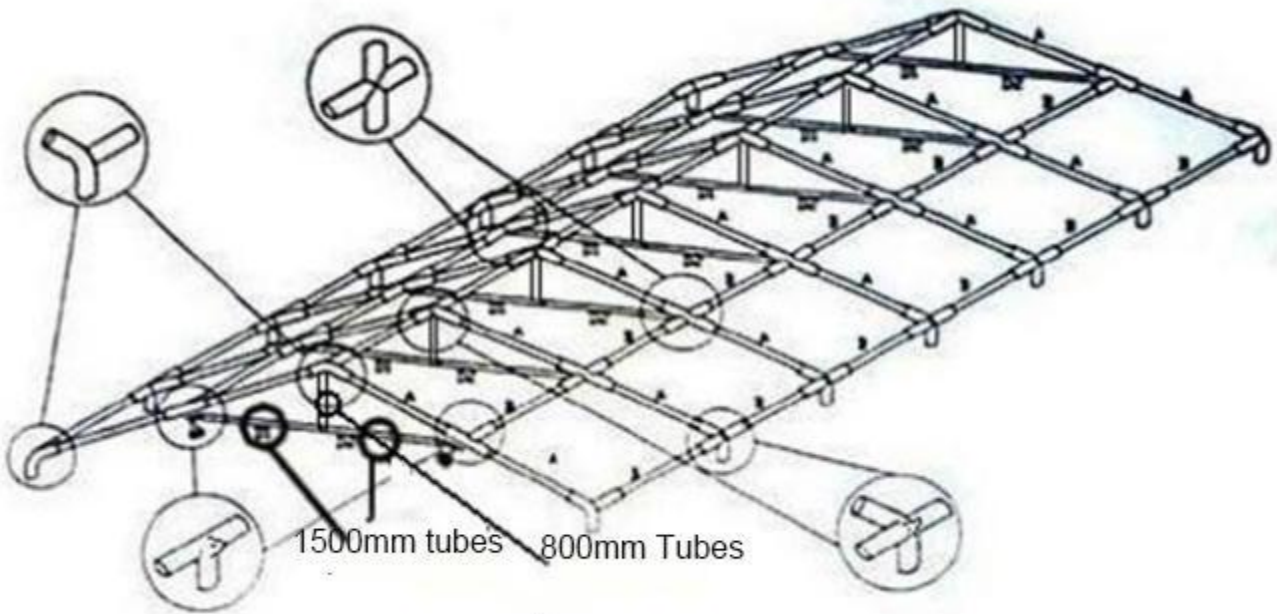
C	90° 3 Way joints (foot plate)		4
D	180° 3 Way joints (foot plate)		10
E	2 way joints for front and back door		4
F	Ropes		4
G	Ground Nails(4mm×18mm)		14
H	Ground Nails(6mm×18mm)		4
I	Screws		28
J	Bungee balls with elastic ropes		200
K	Install Instruction		1

6×12M STRUCTURE TENT

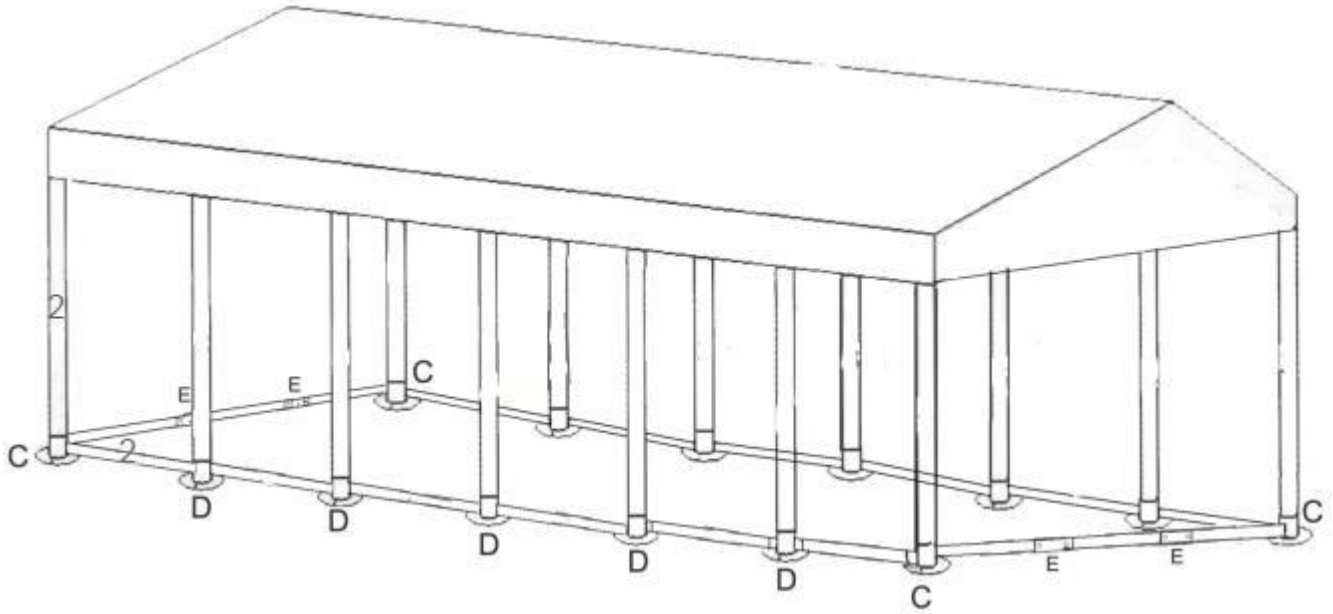
Frame Assembly



1. Place all joints , 1570mm pipes and 1930mm pipes on the ground as shown. Push two pipes into the joints, use buttons to fix them.



Connect reinforced bars together with bungee balls.

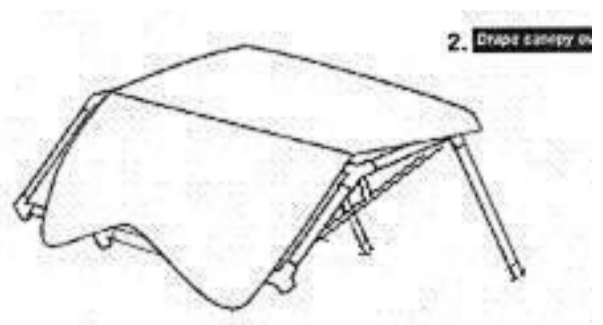
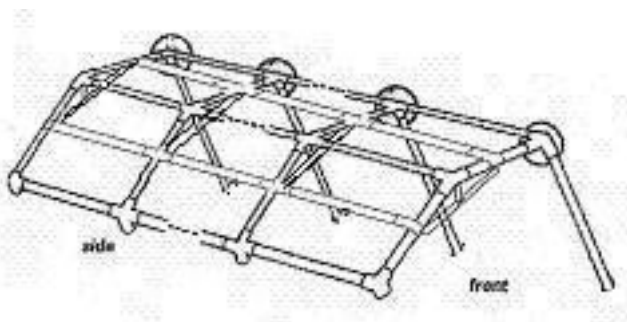


4. Insert leg tubes and connect the legs with ground bars.

ATTACHING COVER TO FRAME

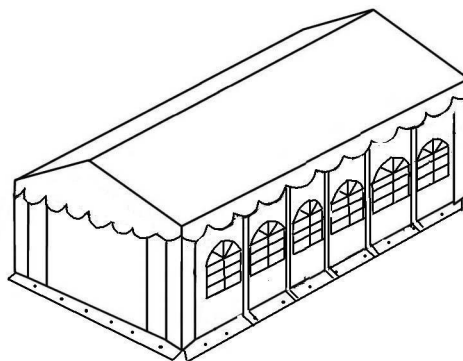
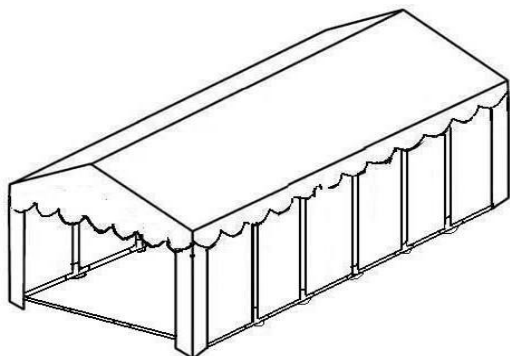
1. Start by lifting one of the frame and inserting legs.
2. Drape cover over frame.
3. Next, lift the other side of the frame and insert remaining legs.
4. Hung up the all side panels and door panels.

NOTE: *Loosen the straps on the bottom of the legs when attach the cover. Adjust as needed after the canopy is assembled.*



Insert the remaining legs and finish attaching cover to frame.

0. Then hung up the all side panels and set up the foot and the ground bar.



NOTE: Do not use the tent in strong wind!